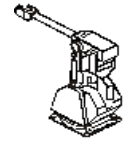




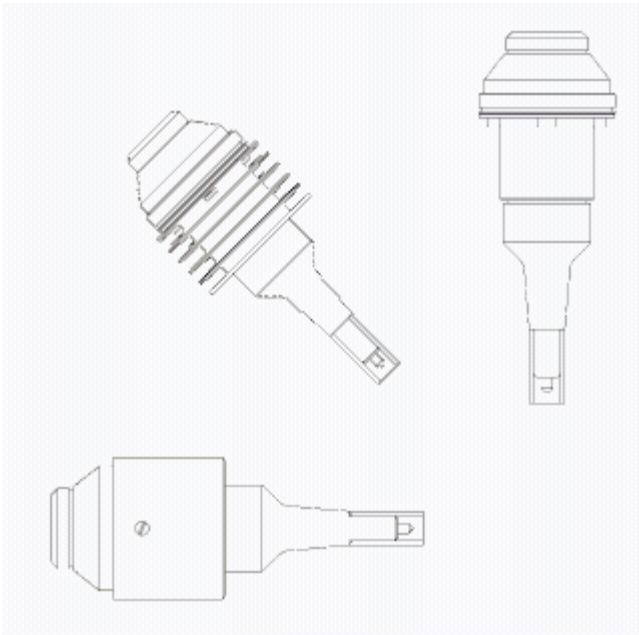
**ROBERT I. ROBOTICS INC.**  
343 SOVEREIGN ROAD LONDON, ONTARIO N6M 1A6  
PH: (519) 453-2088 • FAX: (519) 453-4165  
[www.robertirobotics.com](http://www.robertirobotics.com)



## DIFFERENT TYPES OF TECHNIFOR STYLI



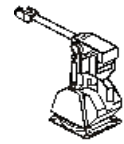
**Pneumatic Percussive**



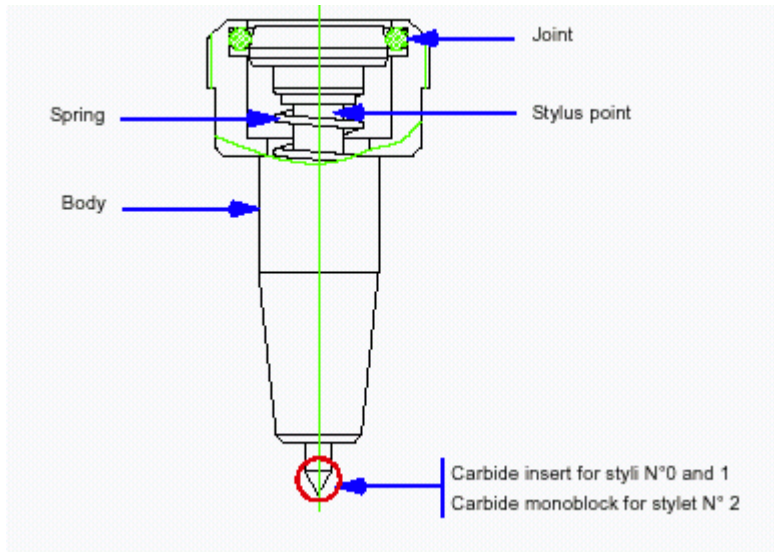
**Electro-magnetic**



**ROBERT I. ROBOTICS INC.**  
 343 SOVEREIGN ROAD LONDON, ONTARIO N6M 1A6  
 PH: (519) 453-2088 • FAX: (519) 453-4165  
 www.robertirobotics.com



## Pneumatic Stylus



### 1 - Different kinds of marking head vibrating styli

#### 1.1) Styli type

**S0**

Stylus No. 0  
carbide point

**S1**

Stylus No. 2  
carbide point

**S2**

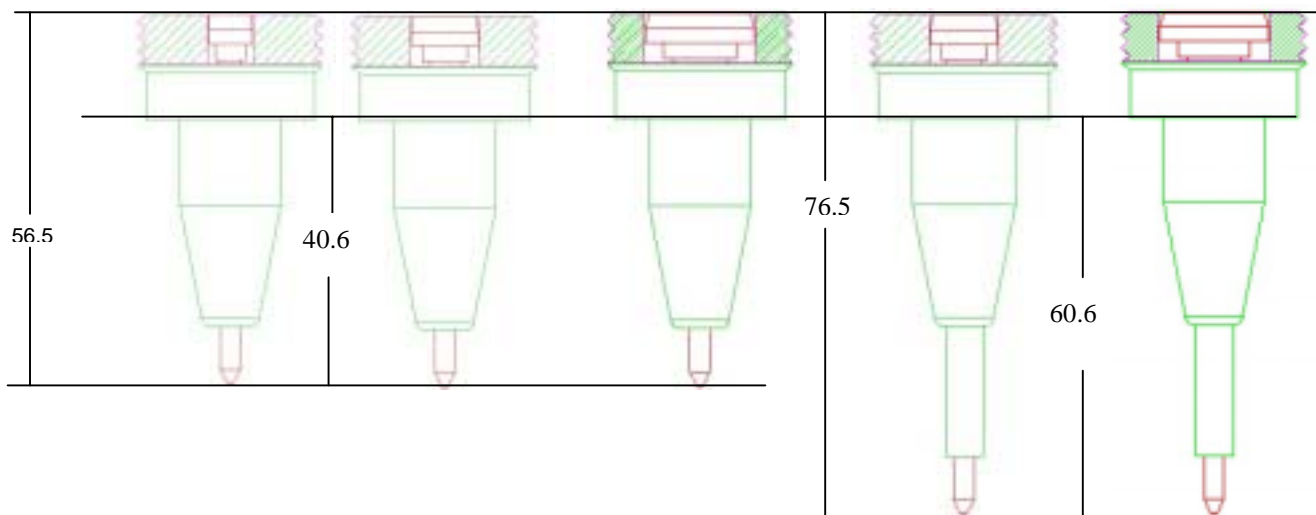
Stylus No. 1  
carbide or  
diamond point

**SA1**

Extended  
Stylus No. 1  
carbide point

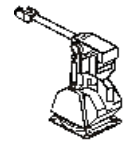
**SA2**

Extended  
Stylus No. 2  
carbide point





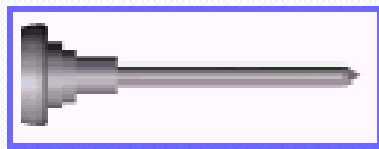
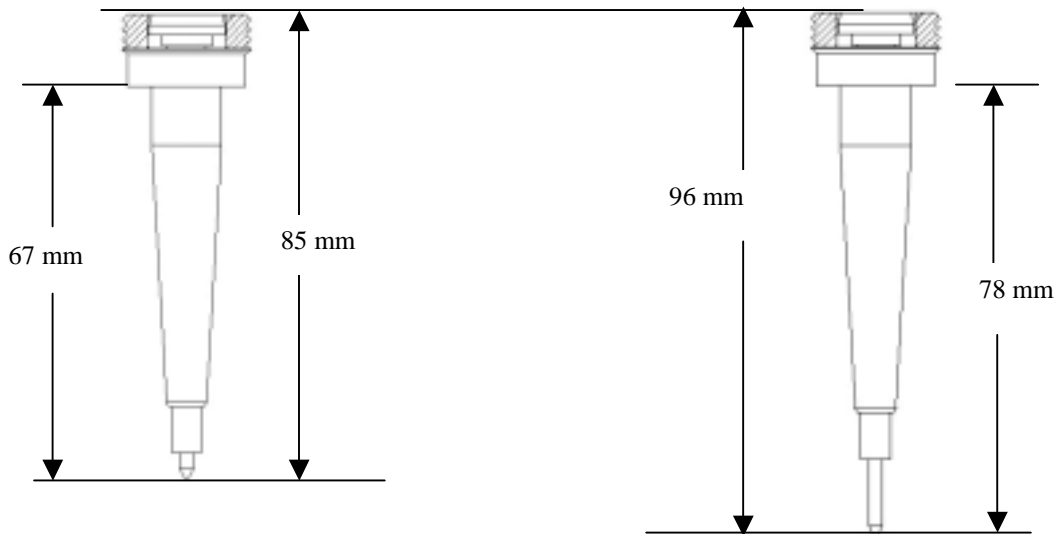
**ROBERT I. ROBOTICS INC.**  
343 SOVEREIGN ROAD LONDON, ONTARIO N6M 1A6  
PH: (519) 453-2088 • FAX: (519) 453-4165  
www.robertirobotics.com



## 1.2) Extended styli N°2

length 85 mm : type SSA22-85  
SSA25-85

length 96 mm : type SSA22-96  
SSA25-96



Typical #2 Stylus Point

### Enhanced amplitude stylus N°1 (type SAA1)

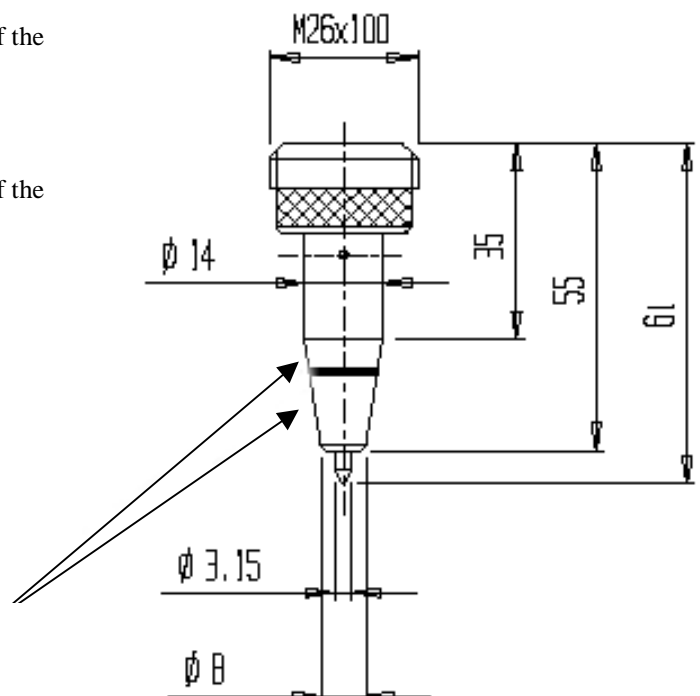
This stylus can compensate for faults on the surface of the part to be marked.

Standard stylus: SAA11 and SAA15

### Enhanced amplitude stylus N°2 (type SAA2)

This stylus can compensate for faults on the surface of the part to be marked

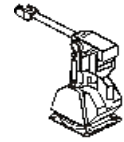
Standard stylus: SAA22



Identifier mark location dependent on time of build

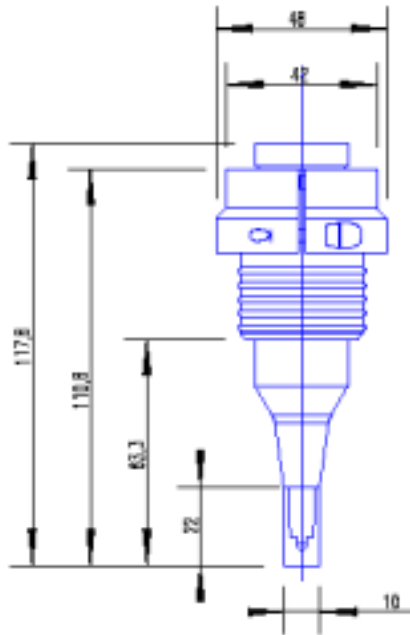


**ROBERT I. ROBOTICS INC.**  
343 SOVEREIGN ROAD LONDON, ONTARIO N6M 1A6  
PH: (519) 453-2088 • FAX: (519) 453-4165  
[www.robtirobotics.com](http://www.robtirobotics.com)

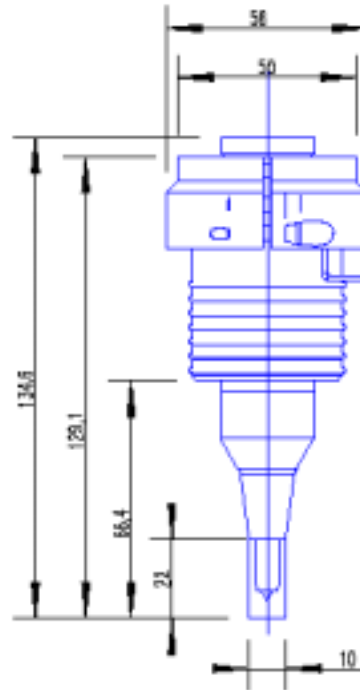


## Electromagnetic Stylus

### Styli M1A - M2A



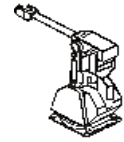
Stylus M1A



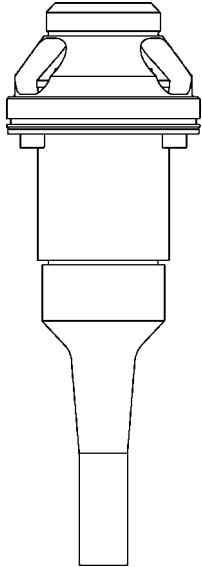
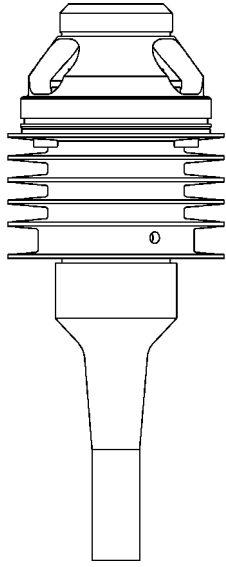
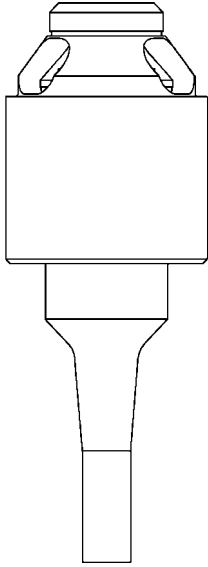
Stylus M2A



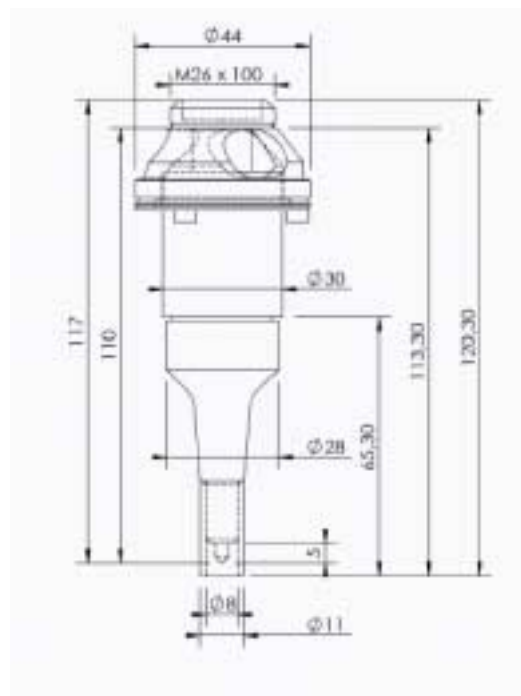
**ROBERT I. ROBOTICS INC.**  
343 SOVEREIGN ROAD LONDON, ONTARIO N6M 1A6  
PH: (519) 453-2088 • FAX: (519) 453-4165  
[www.robtirobotics.com](http://www.robtirobotics.com)



The three versions of the M1C

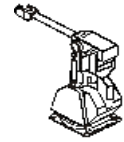
		
M1C without cooling	M1C with cooling by turbine	M1C with air cooling

**Stylus M1C**

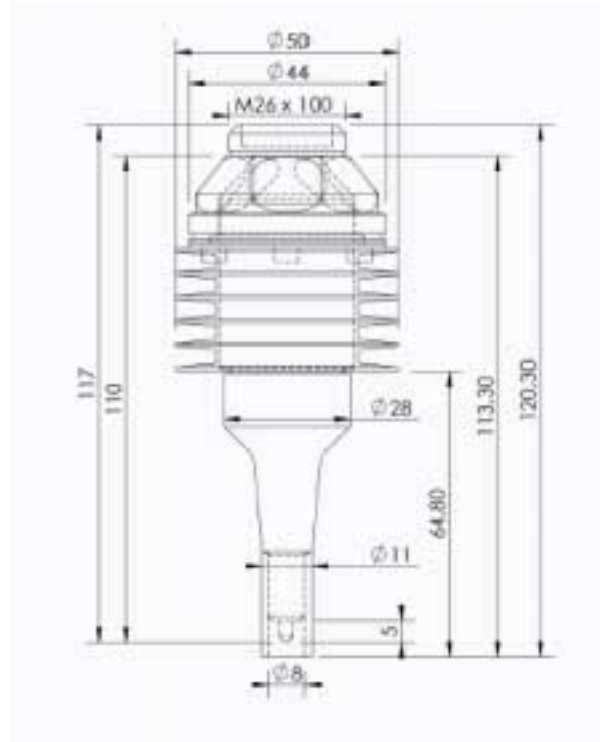




**ROBERT I. ROBOTICS INC.**  
343 SOVEREIGN ROAD LONDON, ONTARIO N6M 1A6  
PH: (519) 453-2088 • FAX: (519) 453-4165  
[www.robtirobotics.com](http://www.robtirobotics.com)



### Stylus M1CT



### Stylus M1CA

