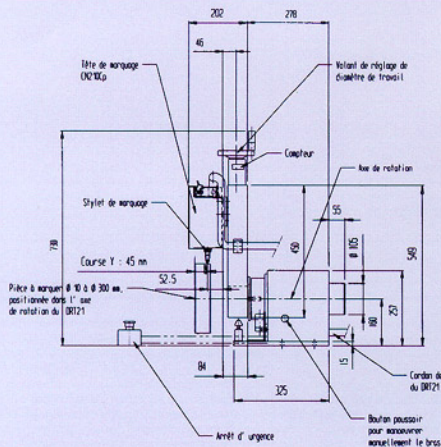
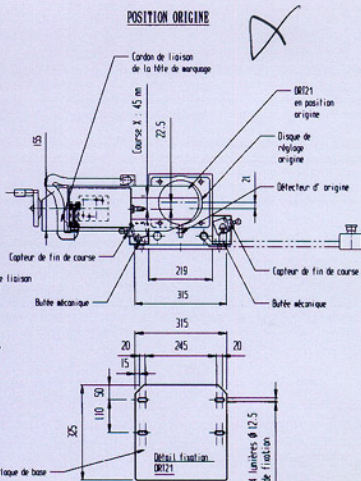


## Dispositif de rotation DR271 avec tête de marquage CN2-10CP



NEA À gauche le dispositif a effectué une rotation de 90° autour d'une pièce à marquer



### Marking head:

- Marking area : 45 x 45mm
- 180° rotation around piece to be marked
- Protected button to manoeuvre the lever manually
- Clamping plate (325 x 315mm) with 4 12.5mm diameter holes
- Emergency stop button
- Pneumatic or electromagnet energy

### Customisation:

- Protective casing of the unit
- Positioning and support for the piece to be marked

### Environment:

- Electrical: 115V/230V
- Power: 200W
- Frequency: 50 à 60 Hz
- Air supply: 6 bar nominal

### Control Unit :

- UC 200 control unit in bench-top or 19"3U rack versions
- Communications:
  - RS 232 or 485 (PC with Windows® software, PLC)
  - Bar code reader (optional)
  - 8E / 8S board (optional)
- Memory capacity : 32 KB (can be upgraded to 128KB)

### Options:

- Downloading of customised fonts and logos
- Waterproof cabinet for the control unit
- Cycle start pedal

### Standards:

- Council directive "Machinery" 89/392/CEE
- Council directive "Electro-magnetic compatibility" 89/336/CEE
- Council directive "Electrical material" 73/23/CEE



Distributed by: ROBERT I. ROBOTICS INC.  
LONDON, ONTARIO, CANADA, Tel: 519.453.2088  
Email: [technifor\\_sales@robertirobotics.com](mailto:technifor_sales@robertirobotics.com)  
<http://www.robertirobotics.com>

114, quai du Rhône - F-01708 MIRIBEL Cedex  
Tel +33 (0)4 78 55 85 50 - Fax +33 (0)4 78 55 85 60  
E-mail: [rf@technifor.com](mailto:rf@technifor.com) - Web site: [www.technifor.com](http://www.technifor.com)